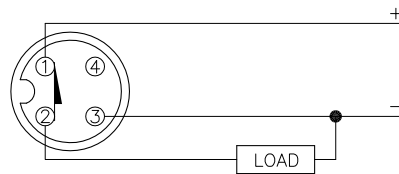
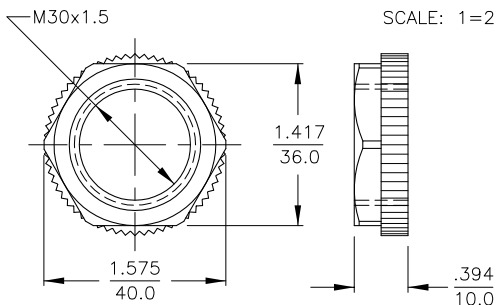


LOCKNUT LN-P30

WIRING DIAGRAM

SPECIFICATIONS

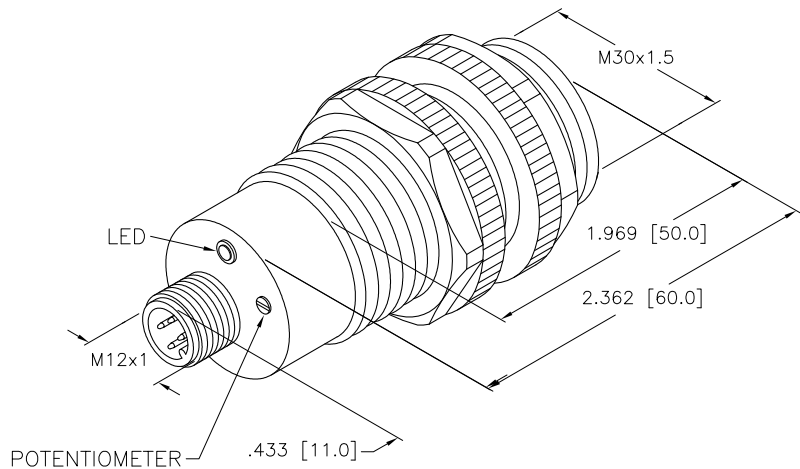


OUTPUT: RP4X2

OUTPUT: RP4X

SHORT-CIRCUIT AND OVERLOAD PROTECTED

RATED OPERATING DISTANCE	10mm = .394" (FLUSH MOUNTING)
RATED OPERATING DISTANCE	15mm = .591" (NON-FLUSH MOUNTING)
REPEAT ACCURACY	≤ 2%
TEMPERATURE DRIFT	≤ ± 20%
HYSTERESIS	2-20%
AMBIENT TEMPERATURE	-25°C to +70°C (-13°F to +158°F)
OPERATING VOLTAGE	10-65 VDC
RESIDUAL RIPPLE	≤ 10%
DC RATED OPERATIONAL CURRENT	≤ 200 mA
NO-LOAD CURRENT	≤ 15 mA
RESIDUAL CURRENT	≤ 0.1 mA
RATED INSULATION VOLTAGE	≤ 0.5 kV
OUTPUT FUNCTION	3-WIRE, NORMALLY CLOSED, PNP
SHORT-CIRCUIT PROTECTION	YES
MAX. VOLTAGE DROP	≤ 1.8 V
WIRE BREAK PROTECTION	INCORPORATED
REVERSE POLARITY PROTECTION	INCORPORATED
HOUSING MATERIAL	PLASTIC, PA12-GF30
ACTIVE FACE MATERIAL	PLASTIC, PA12-GF30
CONNECTOR	M12x1
VIBRATION RESISTANCE	55 Hz (IN ALL 3 PLANES)
SHOCK RESISTANCE	30 g, 11 ms
PROTECTION DEGREE	IP67
SWITCHING STATUS INDICATION	LED; YELLOW



SOURCE DRAWING - FOR REFERENCE ONLY

RELATED DOCUMENTS		3RD ANGLE PROJECTION		THIS DRAWING IS PROPERTY OF TURCK INC. USE OF THIS DOCUMENT WITHOUT WRITTEN PERMISSION IS PROHIBITED.		TURCK INC High Technology Sensors and Automation Controls 3000 CAMPUS DRIVE MINNEAPOLIS, MN 55441 1-800-544-7769 (763) 553-7300 (763) 553-0708 fax turck.com	
1.		TOLERANCES UNLESS OTHERWISE SPECIFIED	DRFT RDS DSGN	DATE	08/12/08	DESCRIPTION BCC10-S30-RP4X-H1143	
2.				SCALE	1=1.3		
3.		.X ±0.02 .XX ±0.01 .XXX ±0.005 ANGLES ±1° ALL MILLIMETER DIMENSIONS ARE REFERENCE ONLY	UNIT OF MEASUREMENT		IDENTIFICATION NO.		REV
4.			INCH [MILLIMETER]		M1542562		A
MATERIAL		SEE NOTES		DO NOT SCALE THIS DRAWING		FILE: M1542562	SHEET 1 OF 1
FINISH		SEE NOTES					
A	DRAWING RELEASE	RDS	08/12/08				
REV	DESCRIPTION	BY	DATE	ECO NO.			